

# LEDLUMINA BS400LED PLUS

## INSTALLATION INSTRUCTIONS



Beluce Canada Inc.  
3900 14th Avenue  
Markham, Ontario L3R 4R3 Canada  
P: (905) 948-9500  
F: (905) 948-8673  
[www.BeghelliCanada.com](http://www.BeghelliCanada.com)



Beghelli USA  
3250 Corporate Way  
Miramar, Florida 33025 USA  
P: 800 726 4316 / P: 954 442 6600 F:  
954 442 6677  
[www.BeghelliUSA.com](http://www.BeghelliUSA.com)



Beghelli Mexico  
Av. Del Marqués No. 70, Int. 4  
Parque Industrial Bernardo Quintana  
C.P. 76246 El Marqués, Qro.  
P: +52 442-221-6439 / F: +52 442-221-6215  
[www.BeghelliMexico.com](http://www.BeghelliMexico.com)

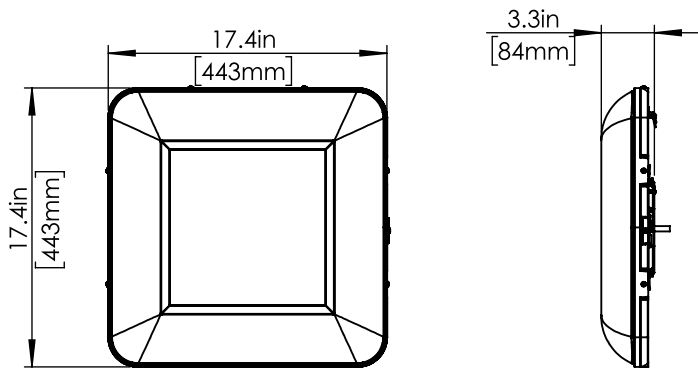
## LEDLUMINA BS400 PLUS



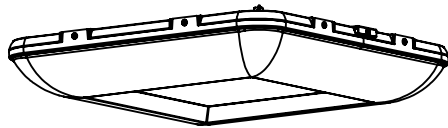
**IP66**



### MODEL INFORMATION



BS400 PLUS LO/MO	
<b>WATTAGE</b>	80W & 100W
<b>VOLTAGE</b>	120-277V & 347V
<b>WET LOCATION</b>	YES
<b>OPERATION</b>	HT (AC ONLY)/0-10V DIMMING
<b>WEIGHT</b>	1.4 lbs
<b>DIMENSION</b>	17.4" L X 17.4" W X 3.3" H



**CAUTION! ALWAYS MAKE SURE THE POWER IS TURNED OFF** before starting installation.

### IMPORTANT SAFEGUARDS

When using electrical equipment, basic safety precautions should always be followed including the following:

#### READ AND FOLLOW ALL SAFETY INSTRUCTIONS.

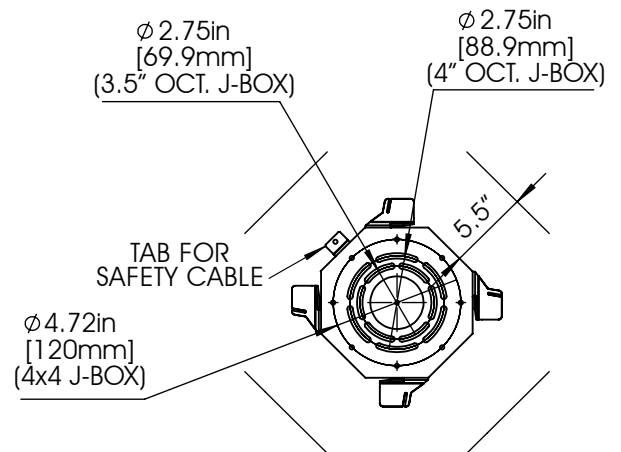
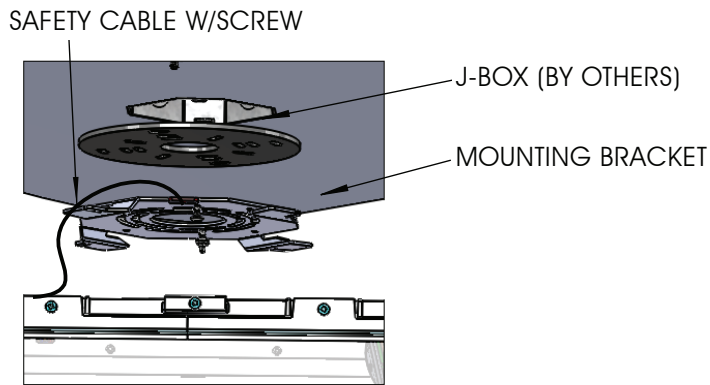
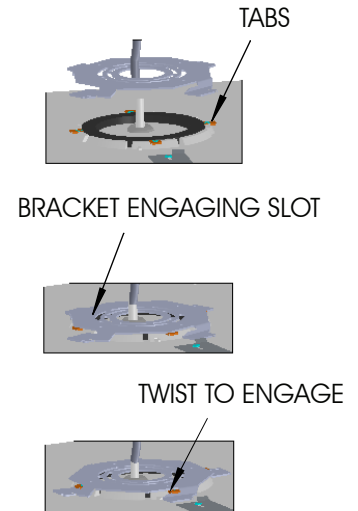
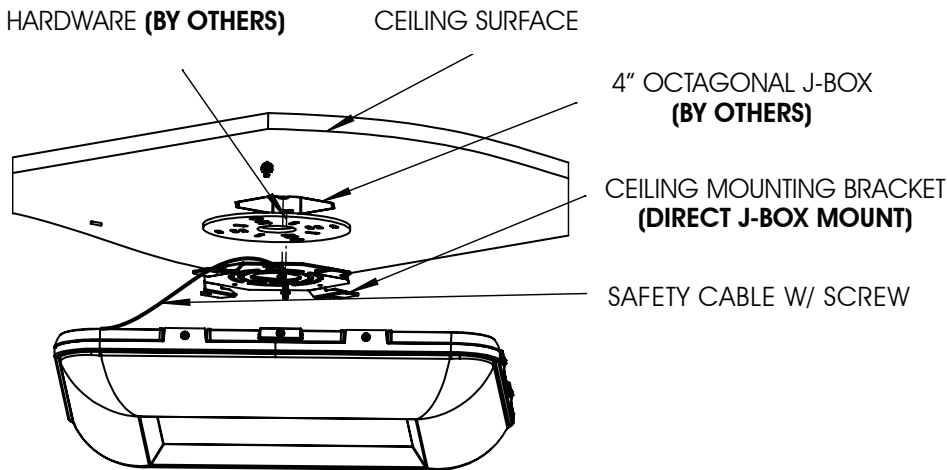
1. **CAUTION! ALWAYS MAKE SURE THE POWER IS TURNED OFF** before starting installation.
2. Measure, locate fixture's position, and mark locations for the brackets.
3. Secure brackets to ceiling as shown below. **(HARDWARE BY OTHERS)**
4. Wiring fixture to power supply, shall be performed by a **certified electrician**, and wired in a manner that complies with all local and national electrical codes, as well as the **manufacturer's wiring diagram**.

**SAVE THESE INSTRUCTIONS!**

### WARNING

No user serviceable parts. Refer service to a qualified service technician. Read instructions prior to installing and/or operating this device. Installation should be performed by a licensed electrician/installer in accordance with local codes.





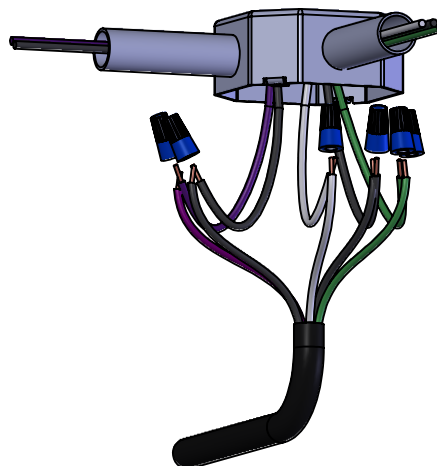
**HINT:** For ease of engaging the fixture to the mounting bracket, it is recommended to draw temporary lines parallel to the straight edges of the bracket (as shown above), use those line to line up your fixture before you twist and lock the fixture onto the bracket.

## DIMMING WIRING DIAGRAM

1. 0-10V dimming wires must be run from a different conduit out of the J-box.

### 0-10V LEAD / DALI

VIOLET.....(DIM +)  
GRAY.....(DIM -)

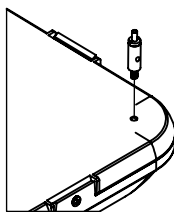


### AC LEADS

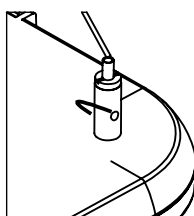
BLACK..... (HOT)  
WHITE.....(NEUTRAL)  
GREEN..... (GROUND)

## AIRCRAFT CABLE (AC)

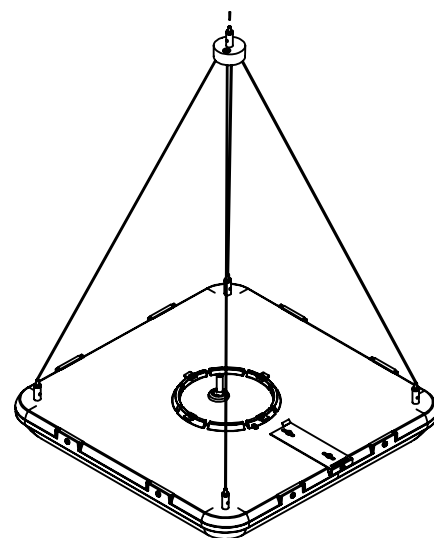
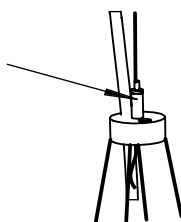
1. Install the cable glider as shown.



2. Feed the cable through the cable glider. (using these cable gliders for leveling the fixture) (Push top of sleeve of cable glider to release lock and adjust cable).



3. Adjust height of the fixture using this glider (use these cable gliders for leveling the fixture) (Push top of sleeve of cable glider to release lock and adjust cable).

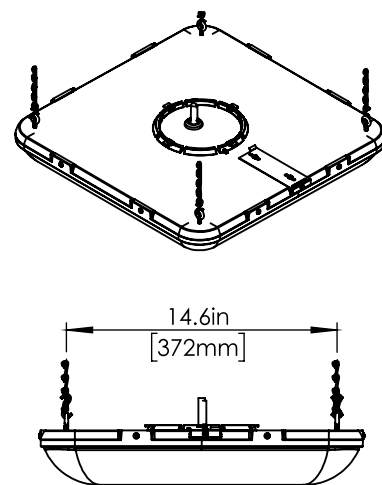
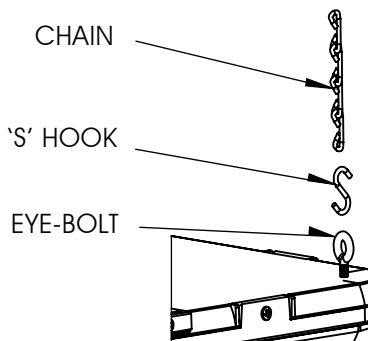


## CHAIN HANG KIT (CH)

1. Install the eye-bolts into the housing as shown.

2. Hook the chain and the eye-bolt together using provided "S" hook.

3. Close all "S" hooks.



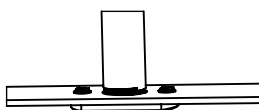
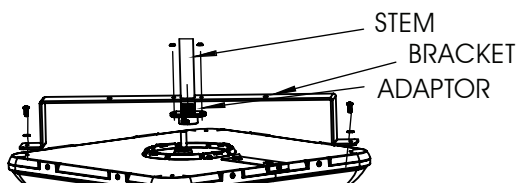
## PENDANT KIT (PK)

1. Attach the bracket to fixture as shown.

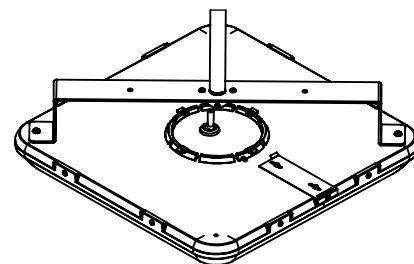
2. Attach stem adaptor to bracket.

3. Install stem through bracket & into adaptor.

4. Install screw to secure the stem.



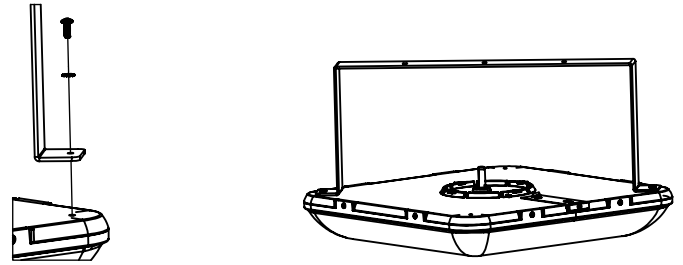
FEED POWER CORD THROUGH STEM



## TRUNNION MOUNT (TM)

---

1. Attach the bracket to fixture as shown.



2. Attach assembly to ceiling as shown (**hardware by others**).  
(Canopy kit sold separately).

