

# BS400 PLUS

CANOPY

Type: \_\_\_\_\_

Project: \_\_\_\_\_

**Delivered Lumens:**  
10,100 - 13,000 lm

**Input Wattage:**  
80W & 100W

**Efficacy:**  
Up to 135 lm/W

**Colour Temperatures:**  
3000K, 4000K, 5000K

**Projected Lumen Maintenance:**  
L<sub>85</sub>@ >60,000 hrs.



Narrow 3" profile

Surface mount standard;  
chain, trunion, aircraft cable  
and pendant mounting  
optional

The **BS400 PLUS** is wet location, IP66 rated. Durable powder coated cast housing construction provides resistance against moisture, dust and corrosion.

The **BS400 PLUS** is ideal for lowbay applications such as under canopies, gas stations, covered drive-thrus, walkways, garages and entrances.

Microprismatic polycarbonate diffuser provides optimized light distribution and glare reduction.

## Configurations

MODEL	OPERATION	LUMENS	COLOUR TEMP	INPUT	MOUNTING	OPTIONS
BS400LED-PLUS	HT (AC only)	LO (10,100)	WT30 (3000K)	120-277V	[blank] (surface, std.)	FP (fuse protection)
		MO (13,000)	WT40 (4000K)	347V	AC <sup>1</sup> (aviation cable)	SP (5 kV at 10kA surge protection)
			WT50 (5000K)		PK <sup>2</sup> (pendant kit)	IOS (integrated occupancy sensor)
					TM (trunion mount)	EM <sup>4</sup> (AC & Emergency)
					CH <sup>3</sup> (chain kit)	

**NOTE<sup>1</sup>:** specify length for AC: 50", 72", 150", 250" fully adjustable; **NOTE<sup>2</sup>:** PK option, min 6"; **NOTE<sup>3</sup>:** chain kit does not include chain (by others) **NOTE<sup>4</sup>:** EM option is remote mounted; not available in 347V.

### HOUSING:

- Cast aluminum
- Grey powder coat finish
- Durable silicon perimeter gasket

### OPERATING TEMPERATURE:

HT: -40°C to +50°C  
EM: 0°C to +50°C

### DIFFUSER:

UV stabilized, microprismatic polycarbonate diffuser eliminates glare and enhances distribution.

### ELECTRICAL:

- AC Input: 120-277V, 50-60Hz
- AC Input: 347V, 50-60Hz

### DIMMING:

0 - 10V dimming is standard, 5%-100%.  
Compatible with most dimming systems.

### WARRANTY:

5 year LED warranty, see website for full warranty details.

### MOUNTING:

Surface mount configuration is standard with a twist-lock mounting bracket. Additional mounting systems offered include aviation cable, chain, trunion and pendant.

### POWER LINE/FEED:

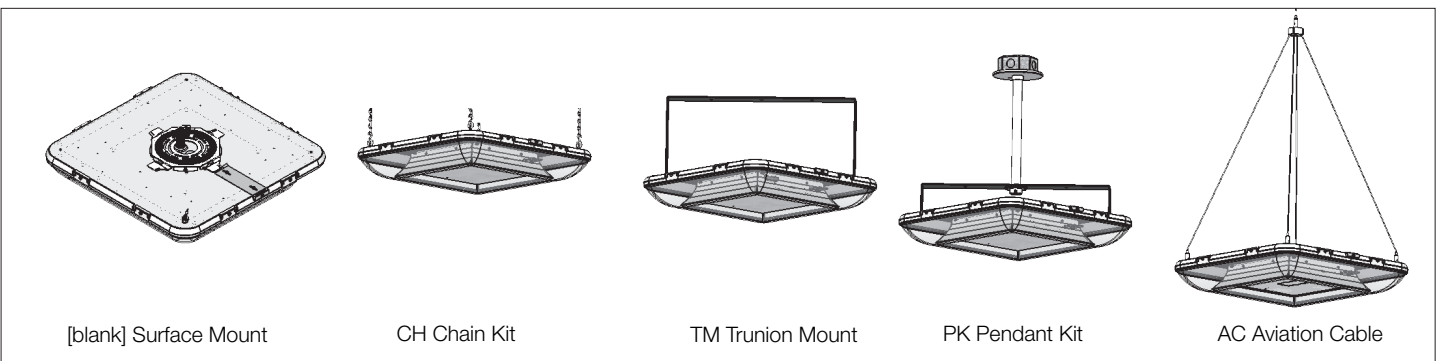
72" black, 18AWG, 300/600V, 5 conductor cord with 1/2" pre-stripped leads for quick in-field connection.

### EMERGENCY BACKUP:

SA - 1251 lm  
EM - 2190 lm

### WEIGHT:

14 lbs. / 6.4 kg.



[blank] Surface Mount

CH Chain Kit

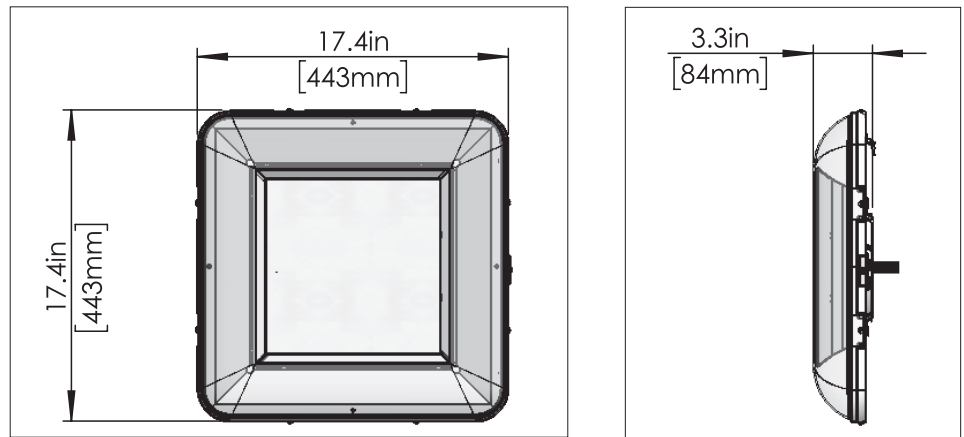
TM Trunion Mount

PK Pendant Kit

AC Aviation Cable

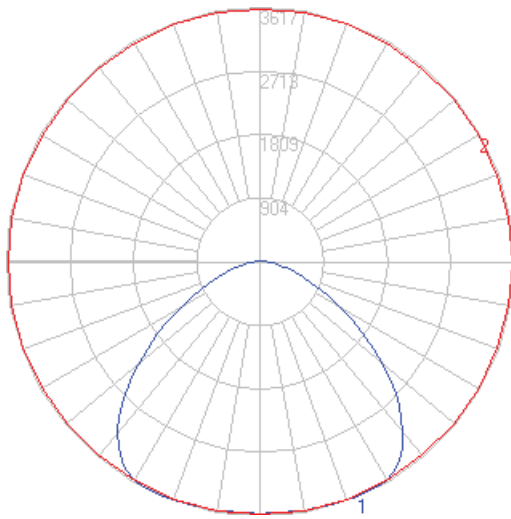
## LEDLUMINA BS400 PLUS

## Dimensions



### BS400LED-PLUS-LO-WT40

Luminous Intensity Distribution

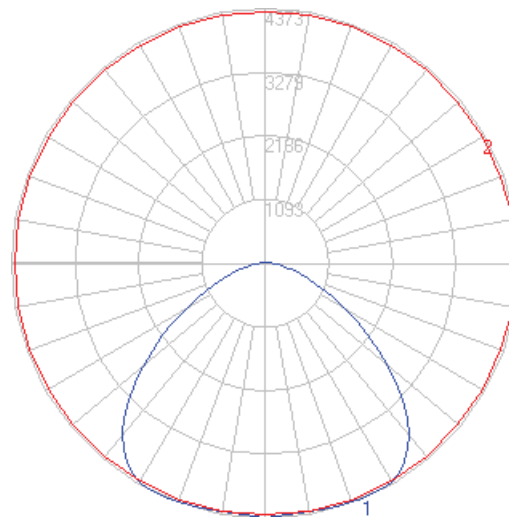


#### Zonal Lumen Summary

ZONE	LUMENS	% LUMINAIRE
0-20	1363	13%
0-40	5181	49%
0-60	8897	84%
60-90	1615	15%
0-180	10659	100%

### BS400LED-PLUS-MO-WT40

Luminous Intensity Distribution



#### Zonal Lumen Summary

ZONE	LUMENS	% LUMINAIRE
0-20	1646	13%
0-40	6260	49%
0-60	10755	84%
60-90	1954	15%
0-180	12887	100%

PHOTOMETRIC DATA

## Energy Chart

MODEL	EFFICACY	WATTAGE	LUMEN OUTPUT	CRI	L85 HOURS
BS400LED-PLUS-LO-WT30	126 lm/W	80W	10,110	>80	60,000
BS400LED-PLUS-LO-WT40	133 lm/W	80W	10,659	>80	60,000
BS400LED-PLUS-LO-WT50	135 lm/W	80W	10,815	>80	60,000
BS400LED-PLUS-MO-WT30	122 lm/W	100W	12,225	>80	60,000
BS400LED-PLUS-MO-WT40	129 lm/W	100W	12,887	>80	60,000
BS400LED-PLUS-MO-WT50	131 lm/W	100W	13,077	>80	60,000

LEDLUMINA BS400 PLUS