
INSTRUCTIONS

IMPORTANT SAFEGUARDS

When using electrical equipment, basic safety precautions should always be followed including the following:

1. **READ AND FOLLOW ALL SAFETY INSTRUCTIONS**
2. Disconnect power before performing work on electrical equipment.
3. Do not use outdoors.
4. Do not let power cords touch hot surfaces and do not mount near gas or electric heaters.
5. Use caution when servicing batteries. Battery acid can cause burns to skin and eyes. If acid is spilled on skin or eyes, flush with fresh water and contact a physician immediately.
6. Equipment should be mounted in locations and at heights where unauthorized personnel will not readily subject it to tampering.
7. The use of accessory equipment not recommended by Beluce Canada Inc., may cause an unsafe condition, and will void the unit's warranty.
8. Do not use this equipment for other than its intended purpose.
9. Servicing of this equipment should be performed by qualified service personnel.
10. **SAVE THESE INSTRUCTIONS!**

INSTALLATION

1. Extend 24 hour AC supply sign of rated voltage (see product label) to an electrical box installed in the location and orientation where the canopy can be mounted to it. Leave at least eight (8) inches of slack wire. The circuit should not be energized at this time - do not energize the AC supply until indicated.
2. Remove plastic bag surrounding sign and put on the plastic gloves located inside the bag before handling the sign directly (to protect against smudges and smears).

TO CHANGE PICTOGRAM (IF NECESSARY)

- a. Unscrew one end cap (*Figure 2*).
- b. Slide faceplate assembly out of cylinder (*Figure 2*).
- c. Remove buttons (*Figure 11*).
- d. Exchange pictogram.
- e. Reinstall buttons press together (*Figure 12*).
- f. Slide face into cylinder & screw on end cap.

WALL/CEILING MOUNTING

3. Internal wiring is already pulled into the canopy and all wires are labelled. Connect AC supply per diagram provided (*Figure 3*). Remove mounting plate from canopy and secure mount plate to junction box. **Insulate unused wire! CAUTION! - Failure to insulate unused wire may result in a shock hazard or unsafe condition as well as equipment failure.**
4. To change mounting type from ceiling mount to wall mount rotate canopy 90° (*Figures 8, 9, 10*).
5. Secure the sign to the mounting plate with two screws through the mounting holes in the canopy (*Figures 4 & 5 ceiling/wall mounting*) (*Figures 6 & 7 end mounting*).
6. Energize power to fixture.

END MOUNTING

7. Internal wiring is already pulled into the canopy and all wires are labelled. Connect AC supply per diagram provided (*Figure 3*). Remove mounting plate from canopy and secure mount plate to junction box. **Insulate unused wire! CAUTION! - Failure to insulate unused wire may result in a shock hazard or unsafe condition as well as equipment failure.**
8. Install spider plate to J box.
9. Secure sign to spider plate with two screws through mount holes in canopy.
10. Energize power to fixture.

Figure 1

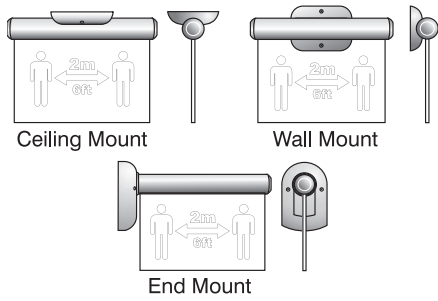


Figure 2

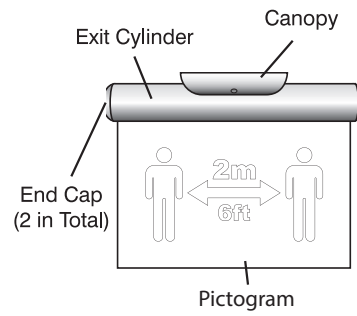


Figure 3

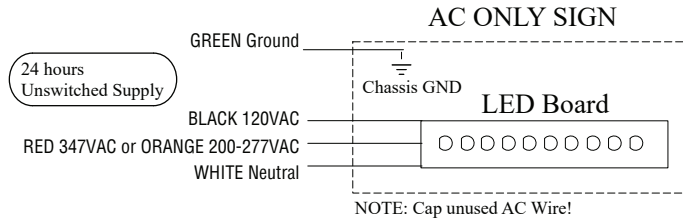


Figure 4

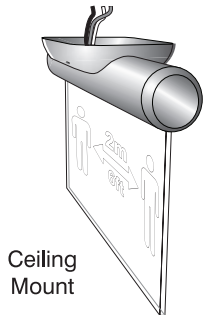


Figure 5

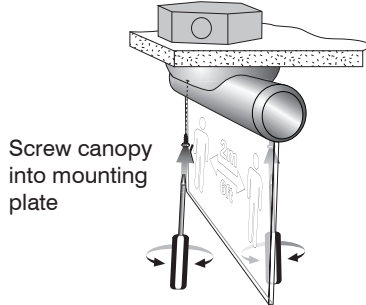


Figure 6

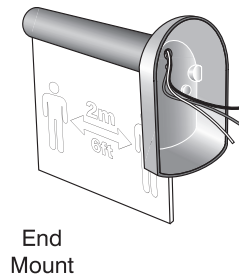


Figure 7

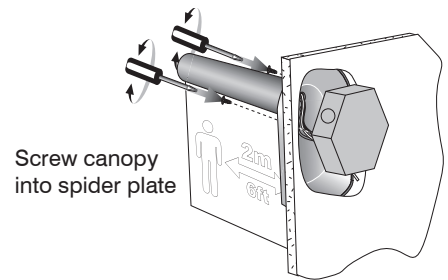


Figure 8

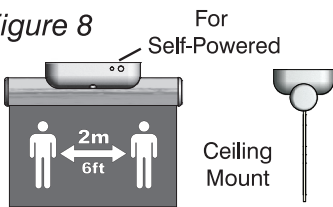


Figure 9

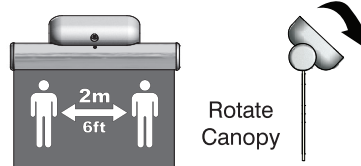


Figure 10

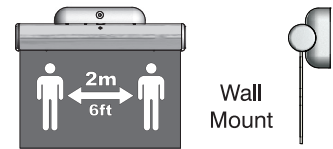


Figure 11

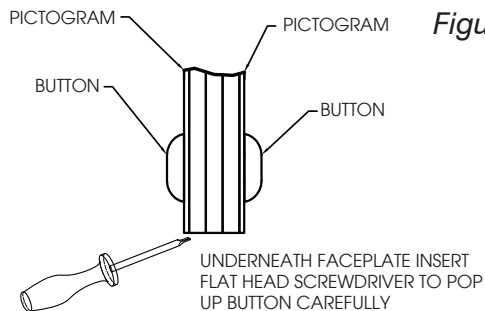
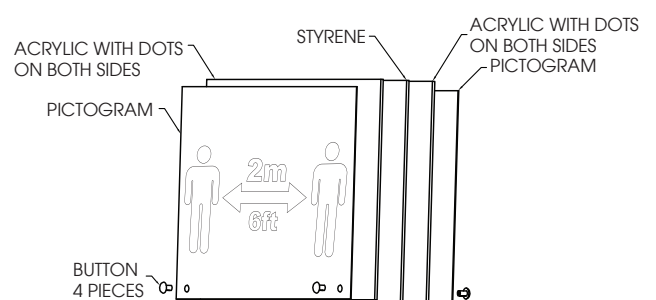


Figure 12



MAINTENANCE

1. Beluce Canada Inc. strongly recommends testing and maintenance in compliance with all Code requirements.
2. The lamps listed herein when used according to the instructions with this unit are in accordance with the requirements of CSA Standard C22.2, No. 141 – Unit Equipment for Emergency Lighting.
3. Clean faceplates on a regular basis.

CAUTION: Always turn off AC power before servicing. The servicing of any parts, should be performed by qualified service personnel. The use of replacement parts not furnished by Beluce Canada Inc. may cause equipment failure and will void the warranty.

TROUBLESHOOTING

SIGN DOES NOT COME ON AT ALL

- i. Check AC supply - be sure unit has 24 hour AC supply (unswitched).

SAVE THESE INSTRUCTIONS