

### INSTRUCTIONS

### IMPORTANT SAFEGUARDS

When using electrical equipment, basic safety precautions should always be followed including the following:

1. **READ AND FOLLOW ALL SAFETY INSTRUCTIONS**
2. Disconnect power before performing work on electrical equipment.
3. Use caution when servicing batteries.
4. Equipment should be mounted in locations and at heights where unauthorized personnel will not readily subject it to tampering.
5. The use of accessory equipment not recommended by Beluce Canada Inc., may cause an unsafe condition, and will void the unit's warranty.
6. Do not use this equipment for other than its intended purpose.
7. Servicing of this equipment should be performed by qualified service personnel.
8. **SAVE THESE INSTRUCTIONS!**

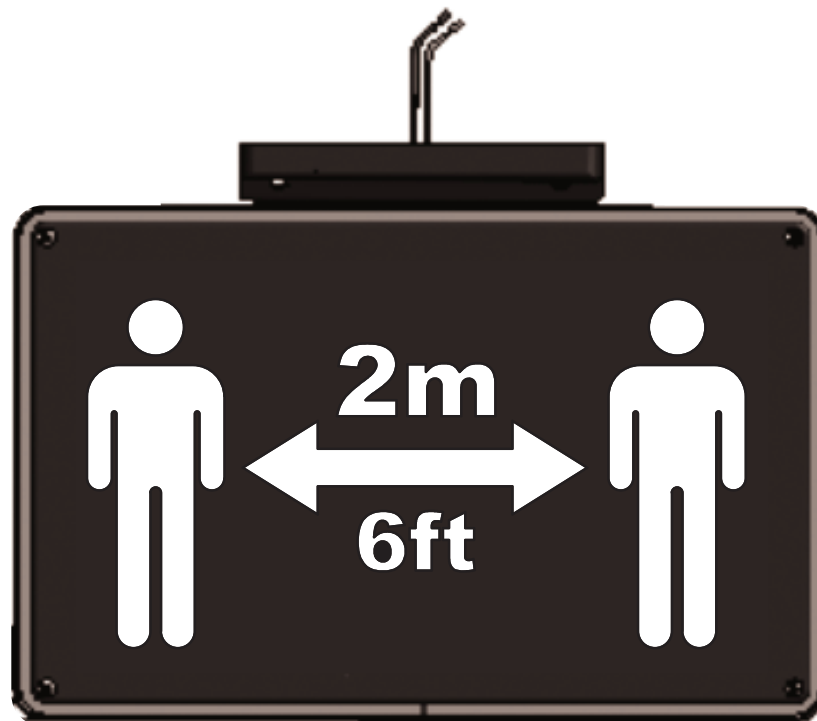
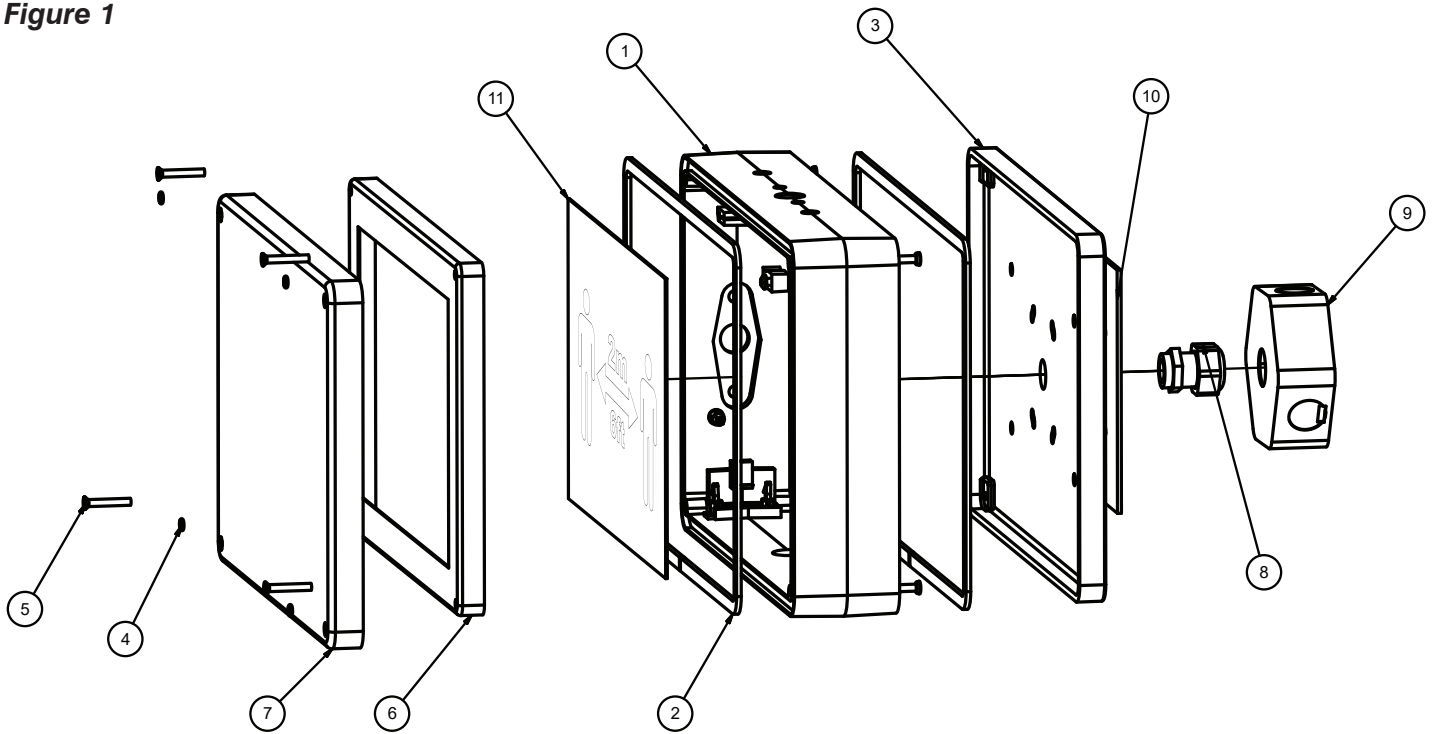


Figure 1



#### WALL MOUNT INSTALLATION:

1. Remove torx screws (5) to release clear lens (7). There are 4 O-rings (4) inserted to the clear cover screw holes. Release the open face frame (6) from the clear lens (7). Peel off backing paper from the tape on the back of the open face frame (6) and carefully position and stick the desired pictogram to the open face frame.
2. Remove the backplate (3) knockouts using applicable knockout holes. Install the liquid tight bushing into the large centre knockout with the lock nut (10). Feed the lead wires through the bushing and tighten to complete the liquid tight seal then secure the back plate and housing to the wall. Connect wire per wiring diagram provided.  
**Caution! Failure to insulate unused wire may result in a shock hazard or unsafe condition as well as equipment failure.**
3. Replace open face frame, clear lens and torx screws.
4. Apply power.

#### PARTS LIST

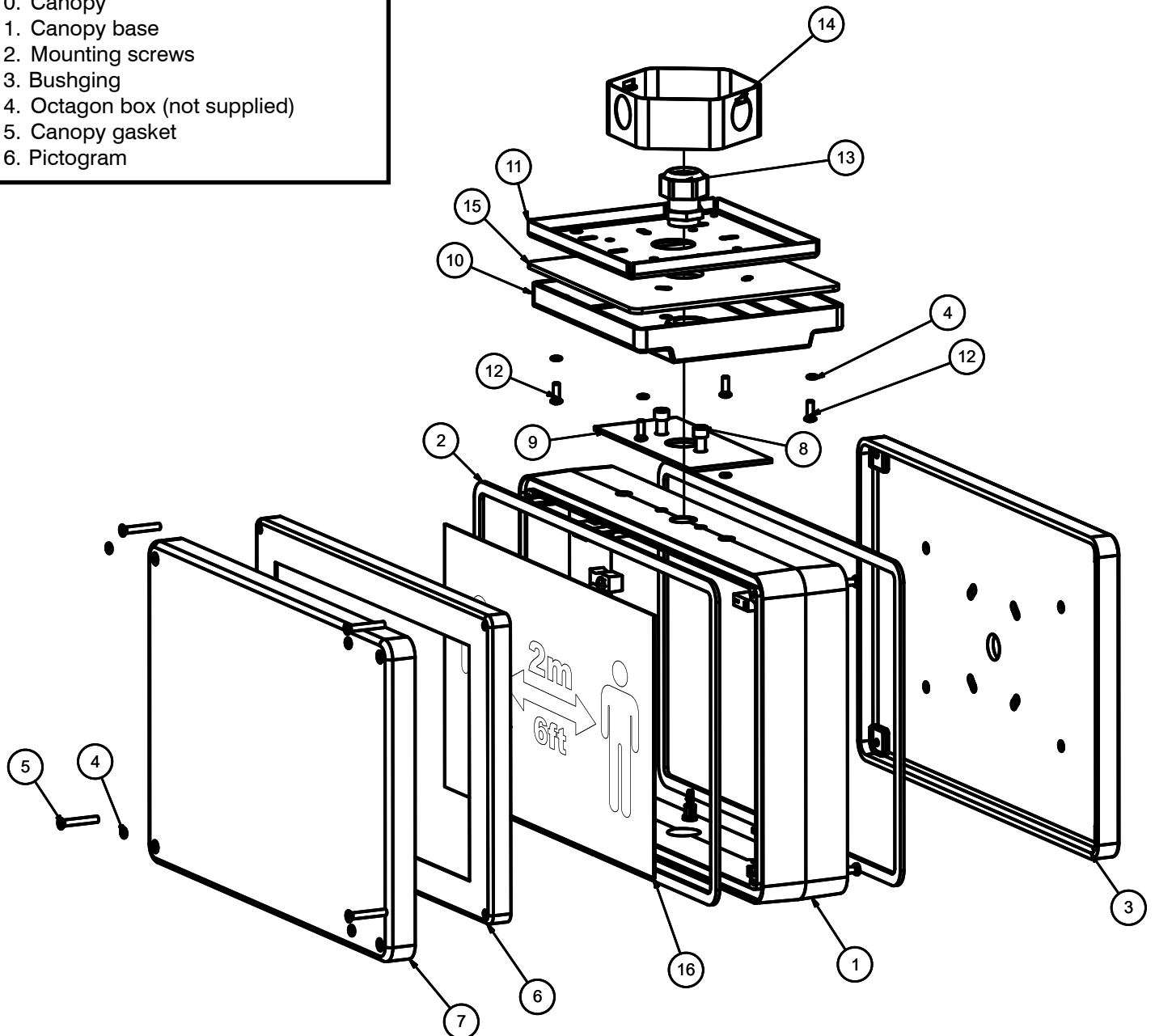
1. Die-cast aluminum frame
2. Frame gasket
3. Die-cast backplate
4. O-ring
5. Torx tamper proof screws
6. Open face frame
7. Clear Lens
8. Bushing
9. Octagon Box
10. Mounting Gasket
11. Pictogram

## PARTS LIST

1. Die-cast aluminum frame
2. Frame gasket
3. Die-cast backplate
4. O-ring
5. Torx tramper proof screws
6. Open face frame
7. Clear lens
8. 1/4 - 20 hex socket cap screw
9. Canopy gasket
10. Canopy
11. Canopy base
12. Mounting screws
13. Bushing
14. Octagon box (not supplied)
15. Canopy gasket
16. Pictogram

## CEILING/END MOUNT INSTALLATION

Figure 2



## CEILING/END MOUNT INSTALLATION

1. Remove torx screws (1) to release clear lens (3). There are 4 O-rings (2) inserted to the clear lens screw holes. Release the open face frame (6) from the clear lens (3). Peel off backing paper from the tape on the back of the open face frame and carefully position and stick the desired pictogram to the open face frame.
2. To install canopy kit (13), 3 knockout on the top (for ceiling mount) or the 3 knockout on the side (for end mount). Position canopy gasket (19) and the canopy (20). Install the cap screws (22) and the washers (16). Attach canopy nuts (15) and then tighten. Install the liquid tight bushing. Install the canopy mounting base (23) to the octagon box (25) (not supplied). Connect wires per diagram provided. **Caution! Failure to insulate unused wire may result in a shock hazard or unsafe condition as well as equipment failure.** The mounting base can be rotated for the desired mounting angle. Install the canopy (20) to the mounting base (23) with the supplied screws (18). Feed the lead wires through the bushing and tighten to complete the liquid tight seal.
3. Replace open face frame, clear lens and torx screws.
4. Apply power.

---

## MAINTENANCE

The equipment is to be tested once a year in accordance with the code requirements. The equipment is to be repaired whenever the equipment fails to operate as intended during the duration test. Written records of test results and any repairs made must be maintained. Beluce Canada Inc. strongly recommends compliance with these code requirements.

NOTE: The servicing of any parts should be performed by qualified service personnel only. The use of replacement parts not furnished by the manufacturer may cause equipment failure and will void the warranty.

---

## WIRING DIAGRAM

