
INSTRUCTIONS

IMPORTANT SAFEGUARDS

When using electrical equipment, basic safety precautions should always be followed including the following:

1. **READ AND FOLLOW ALL SAFETY INSTRUCTIONS.**
2. Disconnect power before performing work on electrical equipment.
3. Do not use outdoors.
4. Do not let power cords touch hot surfaces and do not mount near gas or electric heaters.
5. Use caution when servicing batteries.
6. Equipment should be mounted in locations and at heights where unauthorized personnel will not readily subject it to tampering.
7. The use of accessory equipment not recommended by Beghelli Canada Inc., may cause an unsafe condition, and will void the unit's warranty.
8. Do not use this equipment for other than its intended purpose.
9. Servicing of this equipment should be performed by qualified service personnel.
10. Allow battery to charge for 24 hours before first use.
11. **SAVE THESE INSTRUCTIONS!**

INSTALLATION

This fixture is suitable for wall mounting, end mounting, ceiling mounting. For all mounting, attach crossbar to junction box.

CEILING AND WALL SURFACE MOUNTING (figures 1 & 2):

1. Attach spider plate/crossbar to junction box.
2. Feed AC supply wires through canopy center hole.
3. Assemble canopy onto aluminum housing with screws (supplied).
4. Make proper wire connections (figure 4).
5. Use screws (supplied) to tighten canopy to mounting plate (spider plate/cross bar).
6. The unit can be installed on any surface, you may rotate the Acrylic panel in any angle from 0° to 180°.

END MOUNTING (figure 3):

1. Attach spider plate/crossbar to junction box.
2. Remove the opposite mounting end cap and knock out the hole on the cap for pulling through wires.
3. Slide open the housing so the AC wires are easier to redirect.
4. Pull out the AC supply wires and feed wires through the holes of end cap (first) and then canopy.
5. Assemble canopy and end cap to metal bracket with screws (supplied).
6. Make proper wire connections (figure 4).
7. Use screws (supplied) to tighten canopy to mounting plate (spider plate/cross bar).

Allow 24-hours recharge time after installation or power failure for full-load testing.

This equipment is furnished with a sophisticated low voltage battery dropout circuit to protect the battery from over-discharge after it's useful output has been used.

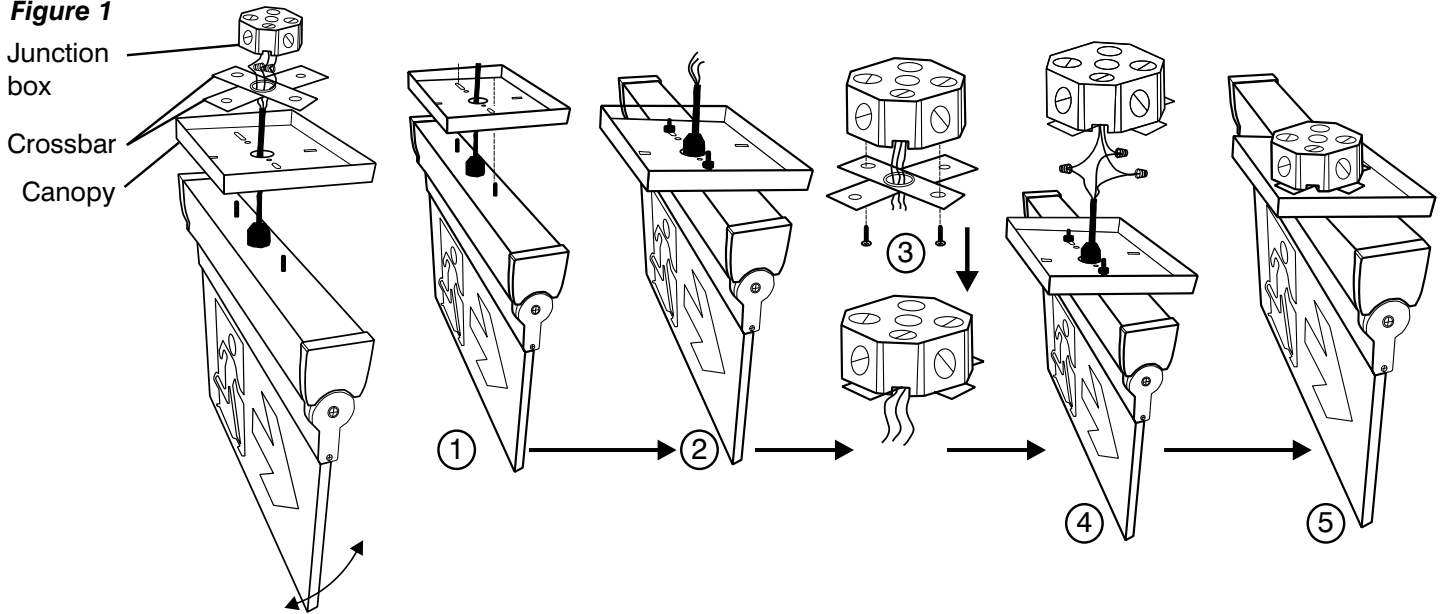
MAINTENANCE

1. Beghelli recommends that the equipment be tested and that written records be maintained according to the local building code.
2. The equipment is to be repaired whenever the equipment fails to operate as intended during the duration test.
3. Clean faceplates/lenses on a regular basis

SAVE THESE INSTRUCTIONS

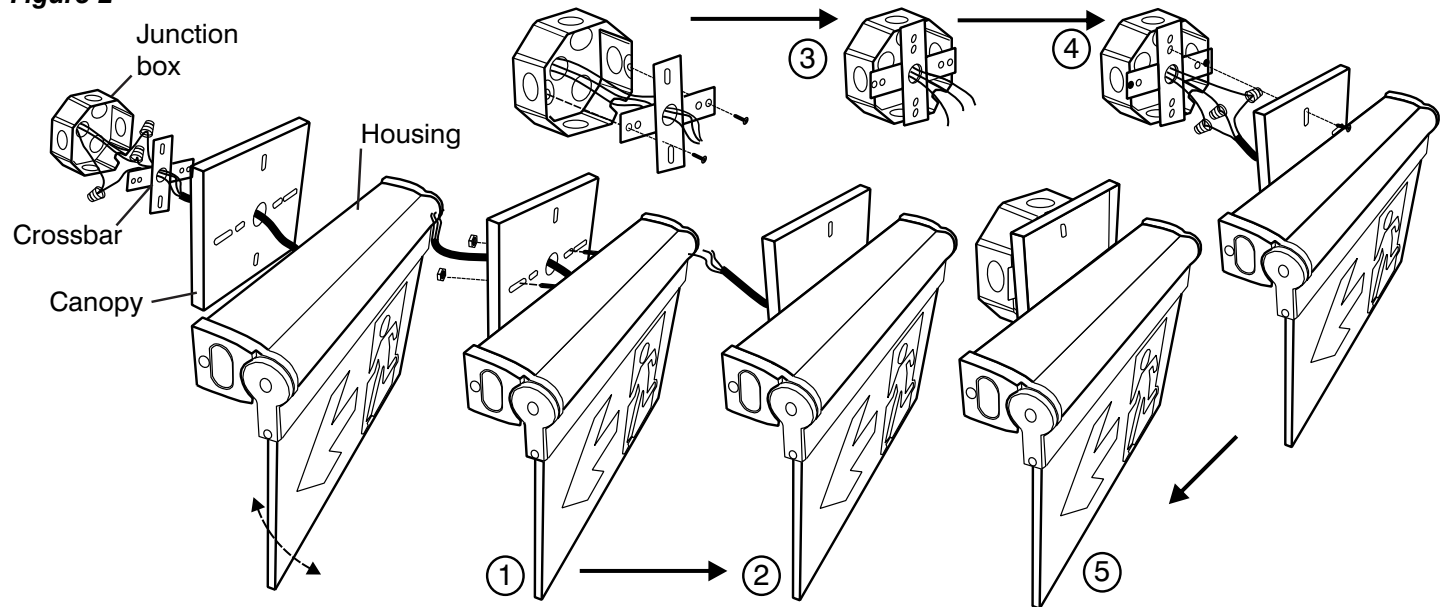
Surface ceiling mount

Figure 1



Surface Wall mount

Figure 2



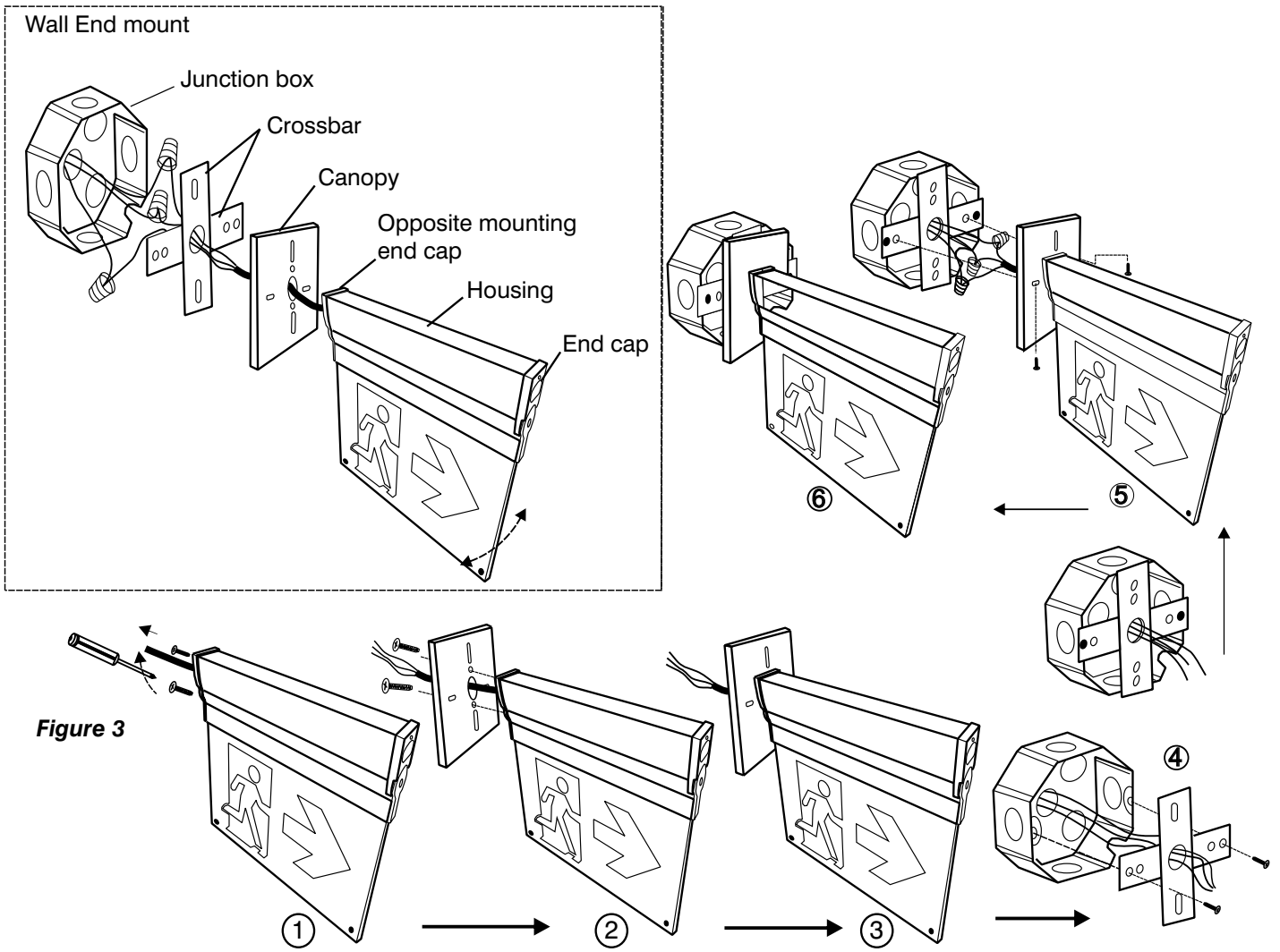


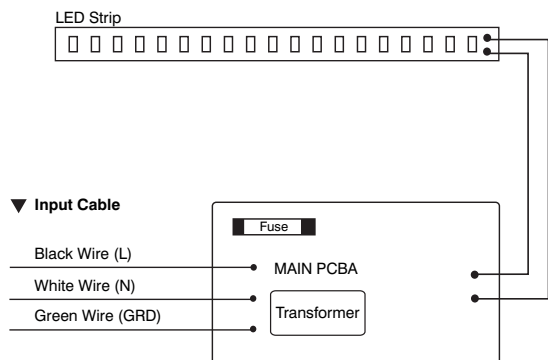
Figure 4

Wiring Diagram

AC Supply Voltage: 120-347VAC 50/60Hz

AC Only

Model #: CRV-RM-L-U-0LR-M



Self-Powered

Model #: CRV-RM-SP-L-U-0LR-M

