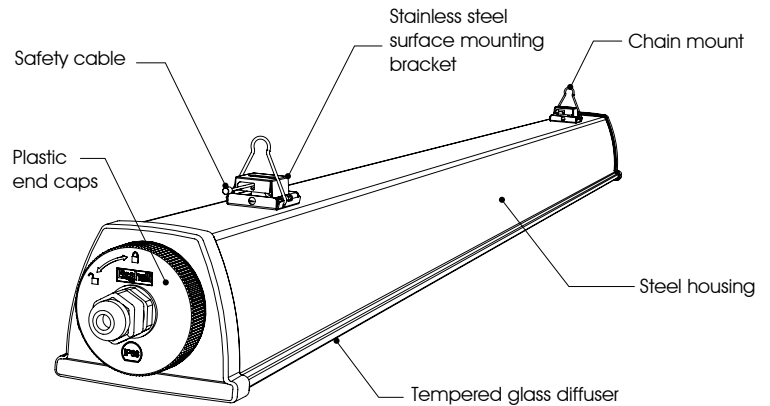


ACCIAIO[®]eco

- BX910LED
- 50W MODEL
- 120V-277V INPUT
- HT (AC ONLY)
- 4FT LENGTH



EACH MODEL NUMBER CONSISTS OF THE FOLLOWING:
SERIES / OPERATION / LED COLOR TEMP. / INPUT

SERIES:	BX910LED
OPERATION:	HT
COLOR TEMP.:	WT30 (3000K) WT40 (4000K)
INPUT:	120V-277V INPUT

IMPORTANT SAFEGUARDS

When using electrical equipment, basic safety precautions should always be followed including the following:

READ AND FOLLOW ALL SAFETY INSTRUCTIONS.

1. Do not let power cords touch hot surfaces.
2. Do not mount near gas or electric heaters.
3. Always mount equipment in a location that is not subjected to tampering by unauthorized personnel.
4. The use of accessory equipment not recommended by Beghelli, may cause an unsafe condition, and will void the warranty.
5. Do not use this equipment other than its intended purpose.
6. Servicing of this equipment should be performed by qualified service personnel.

SAVE THESE INSTRUCTIONS!

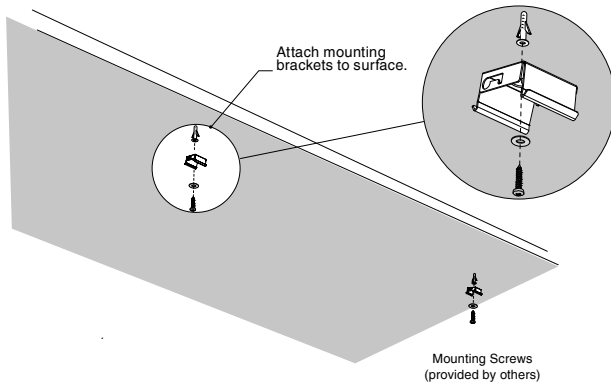
FIRST MAKE SURE POWER IS TURNED OFF!

1. Attach and secure mounting brackets to surface using appropriate fasteners.
2. Connect the safety cable (two step process).
 - Step 1: Connect safety cable to safety brackets (top of the fixture).
 - Step 2: Connect safety cable to mounting bracket.
3. Install the fixture by snapping mounting bracket into safety bracket as illustrated on next page.
4. Connect wires to main power.

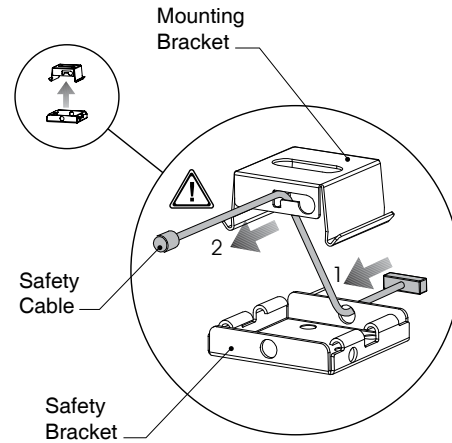
WARNING

No user serviceable parts. Refer service to a qualified service technician. Read instructions prior to installing and/or operating this device. Installation should be performed by a licensed electrician/installer in accordance with local codes.

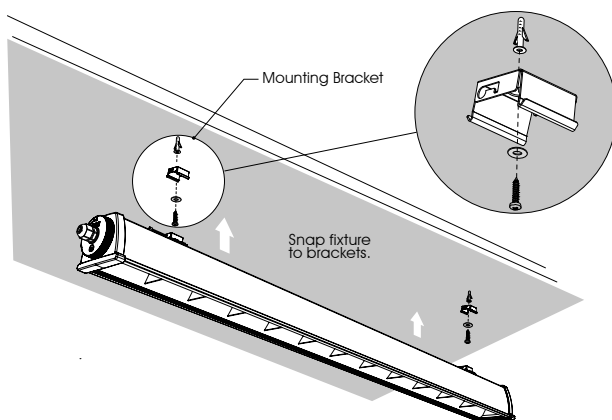
1. Attach & secure mounting brackets to surface.



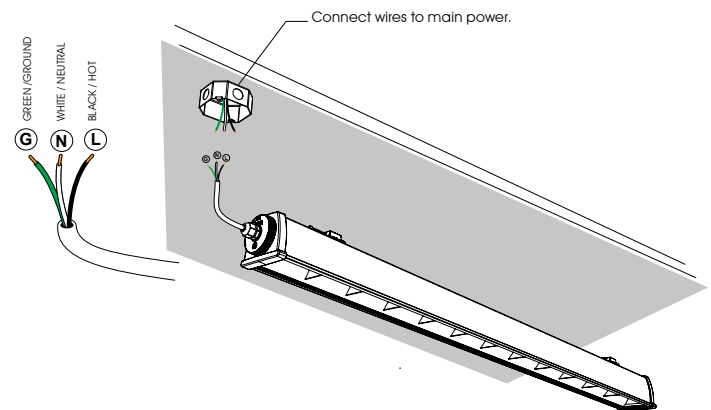
2. Connect the safety cable (two step process).
 Step 1: Connect safety cable to safety bracket (top of the fixture).
 Step 2: Connect safety cable to mounting bracket.



3. Install the fixture by snapping mounting bracket into safety bracket.



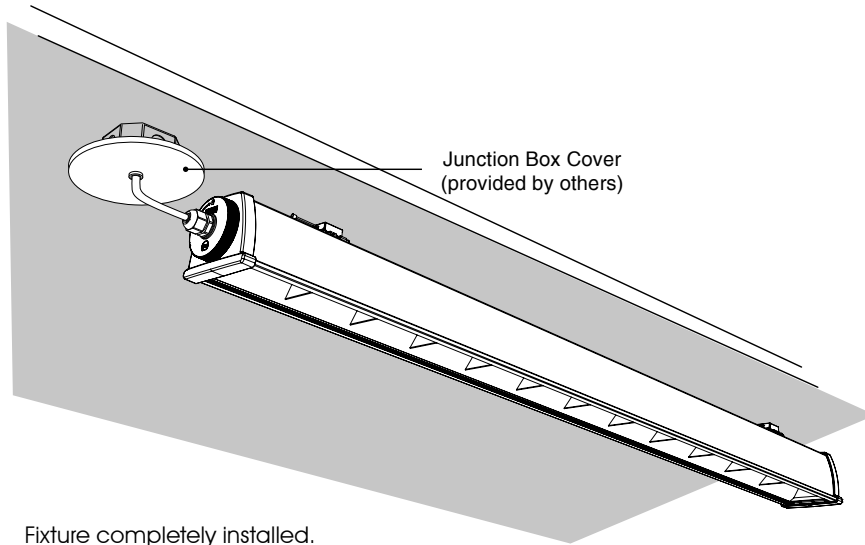
4. Connect to power.



- LABELED WIRE LEADS ARE PROVIDED FOR LINE / HOT, NEUTRAL / COMMON AND GROUND.
- LABELS WILL INDICATE THE RATED INPUT VOLTAGE: 120V-277V 50/60Hz.
- EXACT POWER SUPPLY AND WIRING CONFIGURATION MAY DIFFER FROM IMAGE ABOVE: **FOLLOW ACTUAL WIRE LABELS.**

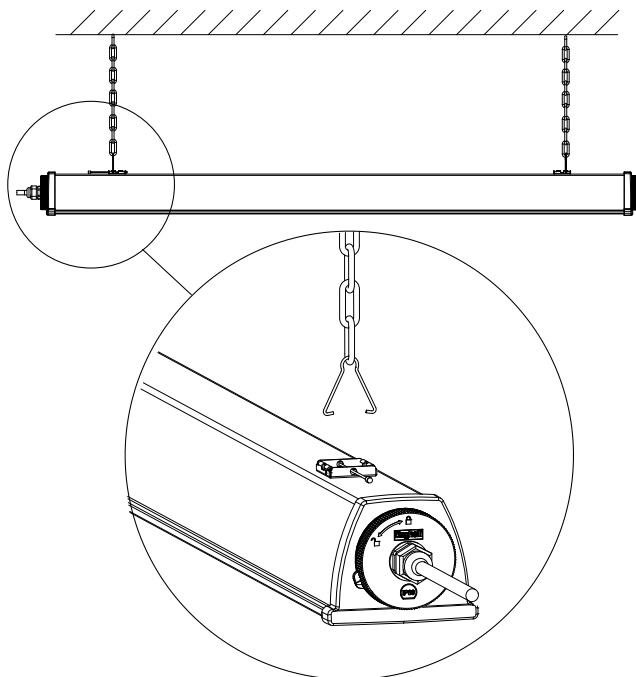
WARNING ⚠️

No user serviceable parts. Refer service to a qualified service technician. Read instructions prior to installing and/or operating this device. Installation should be performed by a licensed electrician/installer in accordance with local codes.

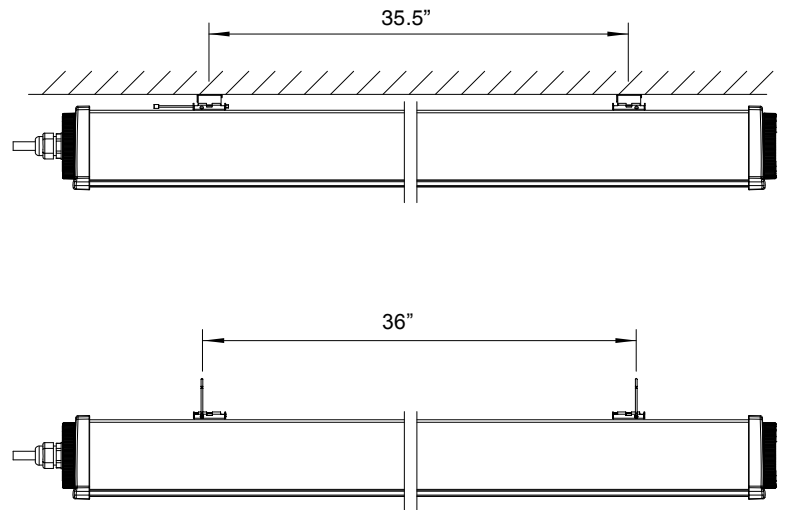


MOUNTING OPTIONS

CHAIN MOUNT



SURFACE MOUNT



Beghelli Canada
3900 14th Avenue
Markham, Ontario L3R 4R3 Canada
P: (905) 948-9500
F: (905) 948-8673
www.beghellicanada.com



Beghelli USA
3250 Corporate Way
Miramar, Florida 33025 USA
P: 800 726 4316 / P: 954 442 6600
F: 954 442 6677
www.beghelliusa.com



Beghelli Mexico
Av. del Marqués #70 Int. 4
Parque Industrial Bernardo Quintana
C.P. 76246 El Marqués, Querétaro, México
P: +52 442-221-6439 / F: +52 442-221-6215
www.beghellimexico.com