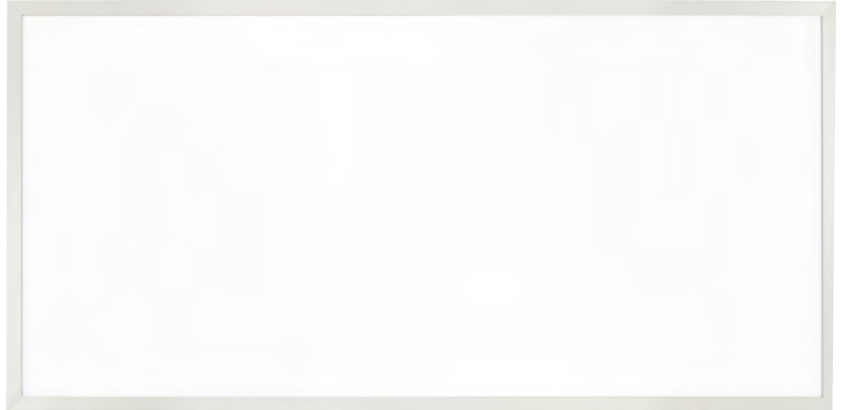


Planex®

PLNX

EACH MODEL NUMBER CONSISTS OF THE FOLLOWING:
SERIES / SIZE / COLOUR TEMP. / INPUT

SERIES:	PLNX
SIZE:	1 FT X 4 FT 2 FT X 2FT 2 FT X 4 FT
COLOUR TEMP.:	3500K, 4000K, 5000K
INPUT:	120-277V, 50-60HZ



IMPORTANT SAFEGUARDS

When using electrical equipment, basic safety precautions should always be followed including the following:

READ AND FOLLOW ALL SAFETY INSTRUCTIONS.

1. Do not let power cords touch hot surfaces.
2. Do not mount near gas or electric heaters.
3. Equipment should be mounted in locations and at heights where unauthorized personnel will not readily subject it to tampering.
4. The use of accessory equipment not recommended by Beghelli, may cause an unsafe condition, and will void the warranty.
5. Do not use this equipment for other than its intended purpose.
6. Vapor barrier must be suitable for 90°C in formats 24-l2 [only required in Canada].
7. Minimum 90°C supply conductors.
8. Suitable for DAMP LOCATIONS.
9. This product must be installed in accordance with the applicable installation code by a person familiar with the construction and operation of the product and the hazards involved.
10. Servicing of this equipment should be performed by qualified service personnel.

SAVE THESE INSTRUCTIONS!

First make sure power is turned off before starting the installation!

Connect to VAC following wiring labels:

Connect VAC wires

Labels with indicate:

120-277VAC 50-60Hz,

(black) Line/Hot,

(white) Neutral/Common

WARNING

No user serviceable parts. Refer service to a qualified service technician. Read instructions prior to installing and/or operating this device. Installation should be performed by a licensed electrician/installer in accordance with local codes.

926000520

T-bar Mounting

1. Insert the LED panel light into the ceiling according to figures 1 and 2.
The installation of the panel light:

As shown in figure 1, select the appropriate size of ceiling; place the panel lights directly onto the t-bar (figure 2).

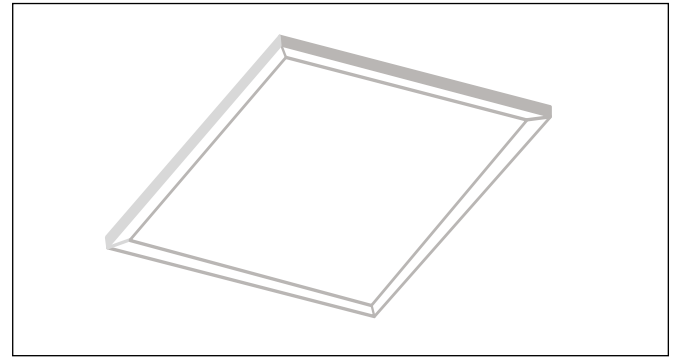


Figure 1

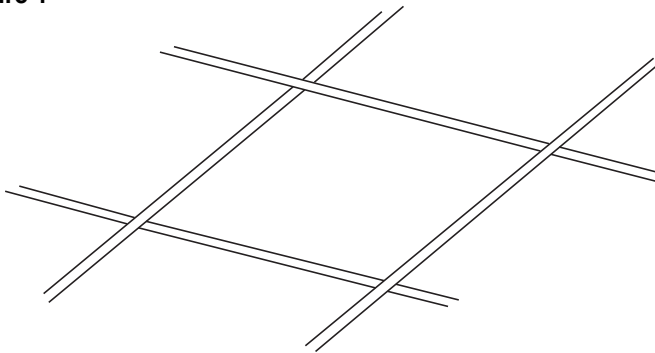
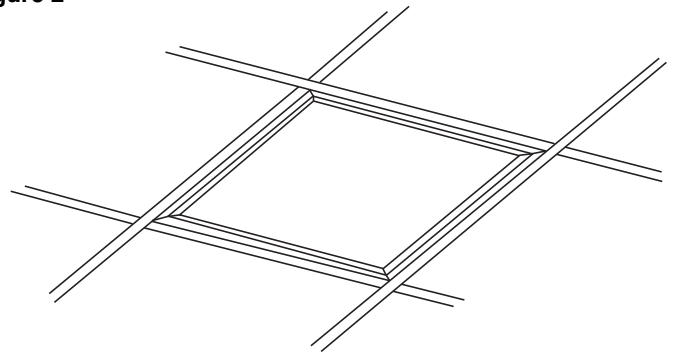
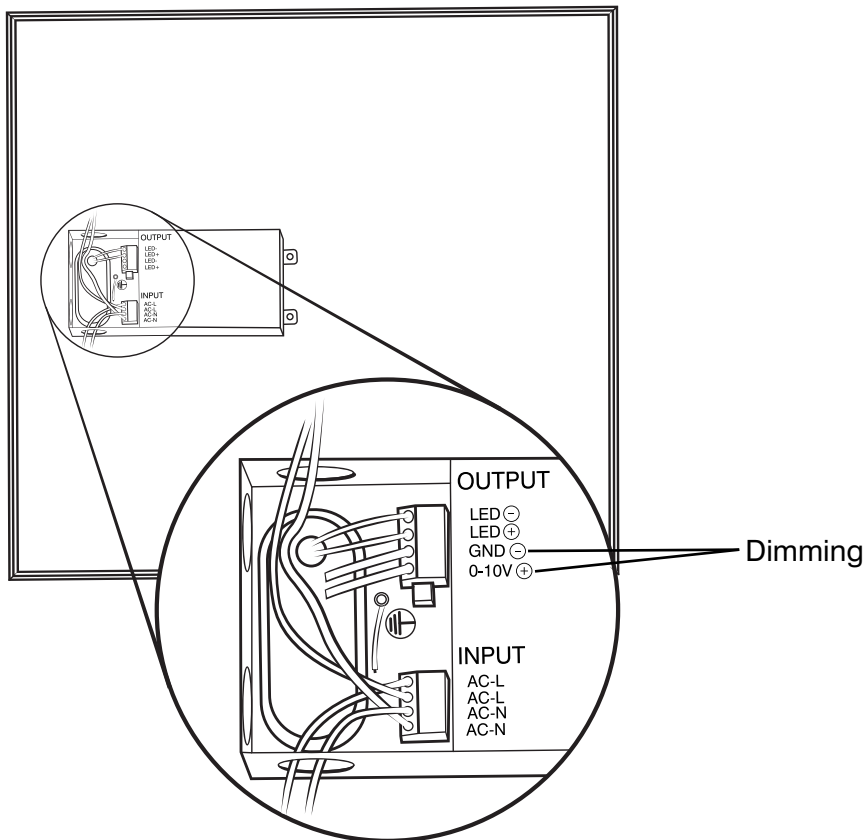


Figure 2

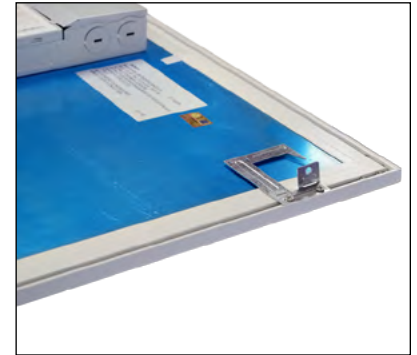
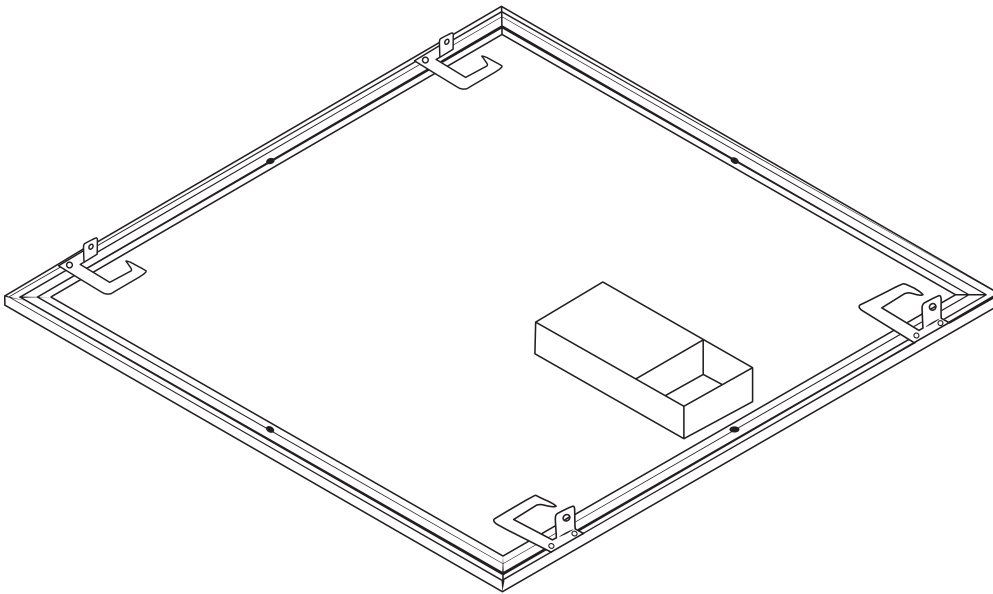


2. Connect wires line, neutral and ground of the input of LED driver with power supply (figure 3).
3. If the Planex needs the dimming function, the external controller needs to link with the LED driven dimming interface, as shown in figure 3.

Figure 3



4. Secure the fixture to build structure.



SAVE THESE INSTRUCTIONS!