

Bruno SD Designed For Social Distancing

Job/Location: _____

Contractor: _____ Prepared By: _____

Model Number: _____ Date: _____

Thin profile

Double face available for front and back signage

Edge-lit LED technology



Ceiling Mount

Universal surface or recessed, wall or ceiling or end mounting

INDOOR

DAMP

CSA US

UNIVERSAL EDGE-LIT DESIGN

The **BRUNO SD** is truly universal edge-lit sign featuring a clean and contemporary look. The design brings style and flexibility to your next application with die-cast construction and a thin profile. The indirect LED illumination evenly lights the acrylic face with crisp, even light.

EXTERNAL SPECIFICATIONS

The **BRUNO SD** features a universal social distancing icon that is immediately recognizable. Custom variations of the sign are available.

ORDERING INFORMATION

Series	Operation	Light Source	LED Colour	Face #	Mounting	Special Wording	Options
BRU-SD	*Blank (AC only)	L (LED)	B (Blue)	0 (Universal)	M (Universal)	SW-SD (6ft apart)	BA (Brushed aluminum finish)
			G (Green)	1 (Single)	S (Surface)	SW-FC (Face covering)	PA (Polished aluminum finish)
				2 (Double)	R (Recessed)		PK12 (12" pendant kit)
							**120VDC (Specify 2 or 4 wires)
							IF (Inverted Face)

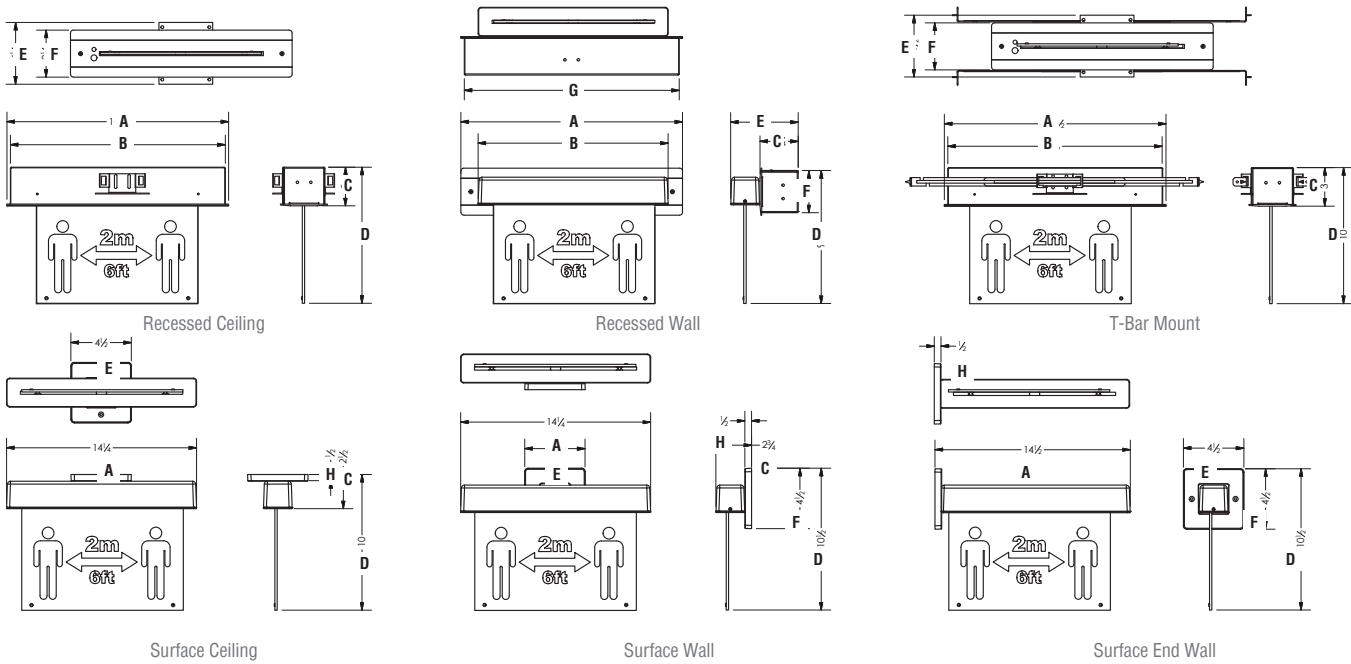
NOTES: *120/347VAC, 120VAC line cord is standard, back entry. DC input available. Please consult factory **With 120VAC only

Example: BRU-SD-L-B-U-M-SW-SD

Description: Bruno edge-lit social-distancing sign, AC only, LED, blue colour, universal face, universal mounting, 6ft apart

SOCIAL DISTANCING SIGNS

DIMENSION (MM, IN.)



Model	A	B	C	D	E	F	G	H
Rec. Ceiling	419mm (16 ^{1/2} "	406mm (16")	76mm (3")	254mm (10")	114mm (4 ^{1/2} "	89mm (3 ^{1/2} "	N/A	N/A
Rec. Wall	419mm (16 ^{1/2} "	368mm (14 ^{1/2} "	70mm (2 ^{3/4} "	247mm (9 ^{3/4} "	127mm (5")	82.5mm (3 ^{1/4} "	406mm (16")	N/A
T-Bar Mount	419mm (16 ^{1/2} "	406mm (16")	76mm (3")	254mm (10")	114mm (4 ^{1/2} "	89mm (3 ^{1/2} "	N/A	N/A
Surf. Ceiling	362mm (14 ^{1/4} "	N/A	63.5mm (2 ^{1/2} "	254mm (10")	114mm (4 ^{1/2} "	N/A	N/A	13mm (1/2")
Surf. Wall	362mm (14 ^{1/4} "	N/A	70mm (2 ^{3/4} "	254mm (10")	114mm (4 ^{1/2} "	114mm (4 ^{1/2} "	N/A	13mm (1/2")
Surf. End Wall	368mm (14 ^{1/2} "	N/A	N/A	254mm (10")	114mm (4 ^{1/2} "	114mm (4 ^{1/2} "	N/A	13mm (1/2")

STANDARD PICTOGRAMS

